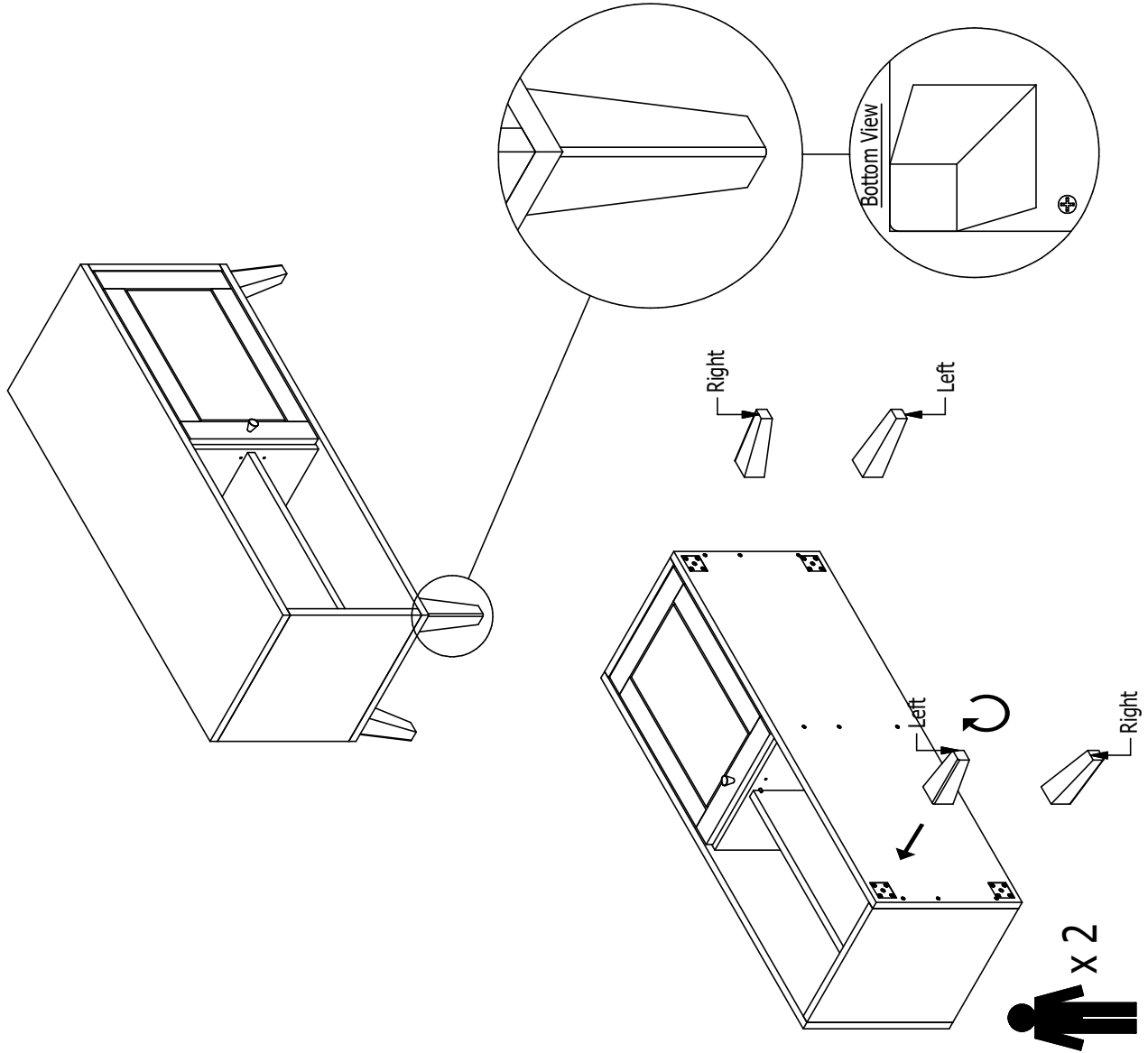
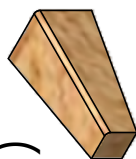
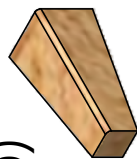



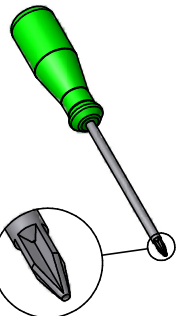


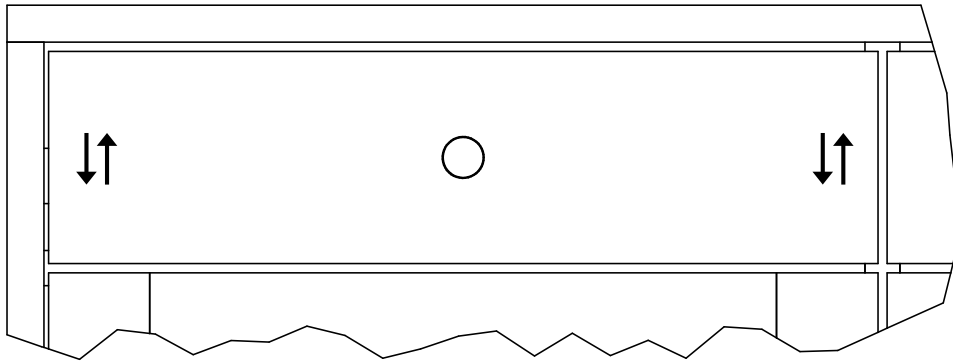
# Assembly instruction



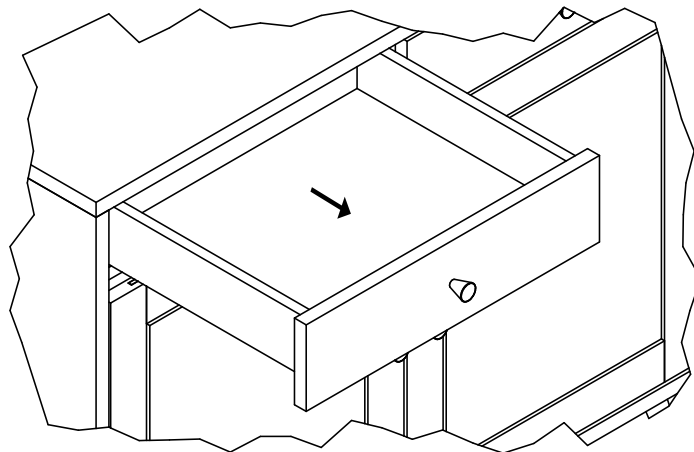
<p>a)  x 2 Left leg</p>	<p>b)  x 2 Right leg</p>	<p>c)  x 8</p>	<p>d)  x 1</p>	<p>e)  x 1</p>	

# Drawer Regulation Scheme

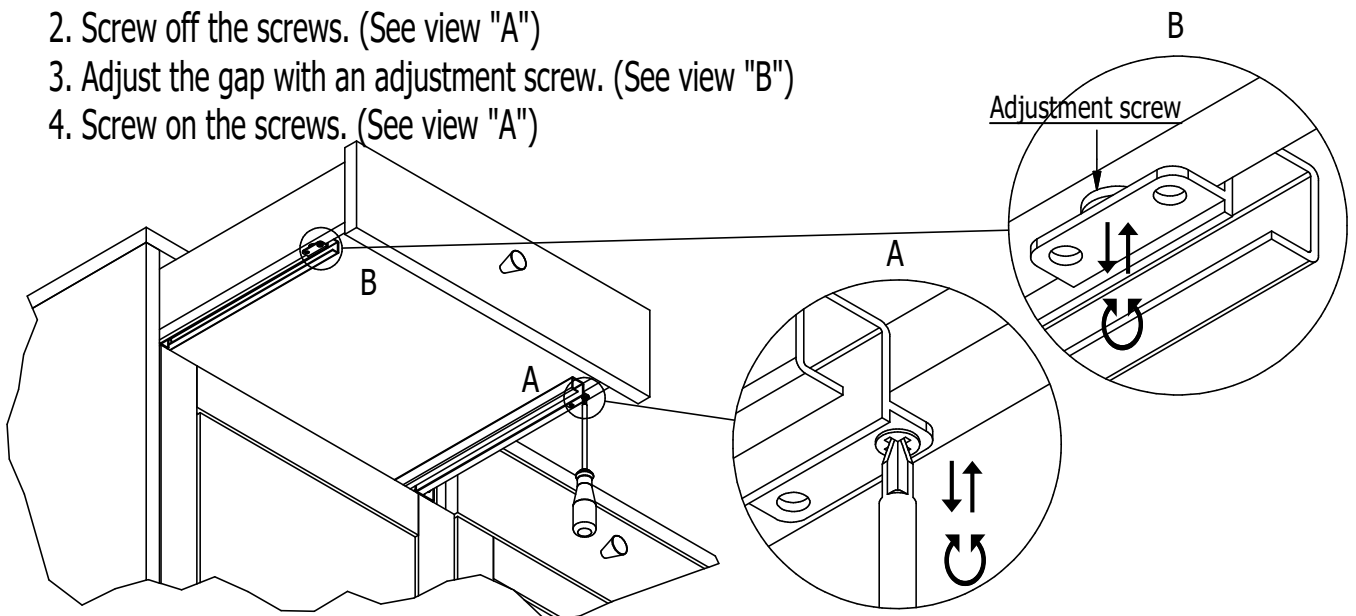
To make the equal gaps between drawers you need:



1. Open the drawer.

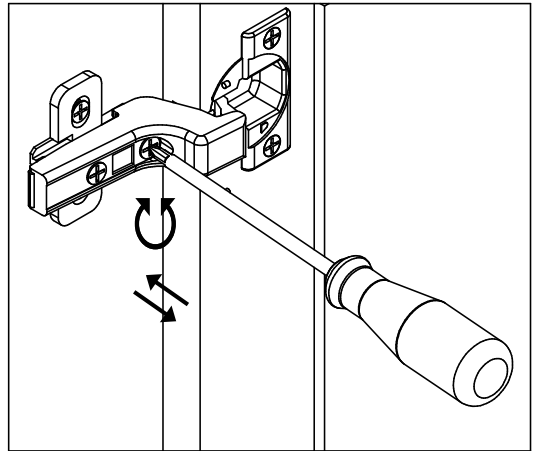
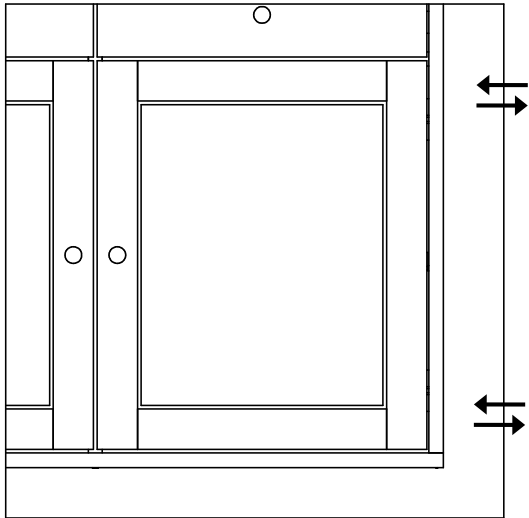


2. Screw off the screws. (See view "A")
3. Adjust the gap with an adjustment screw. (See view "B")
4. Screw on the screws. (See view "A")

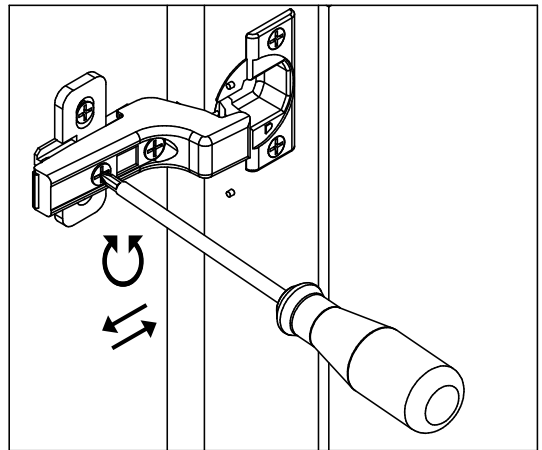
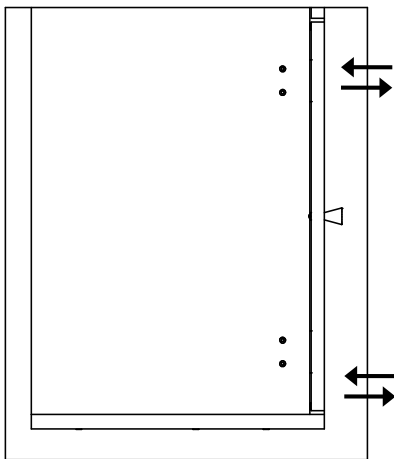


# Door Regulation Scheme

①



②



③

